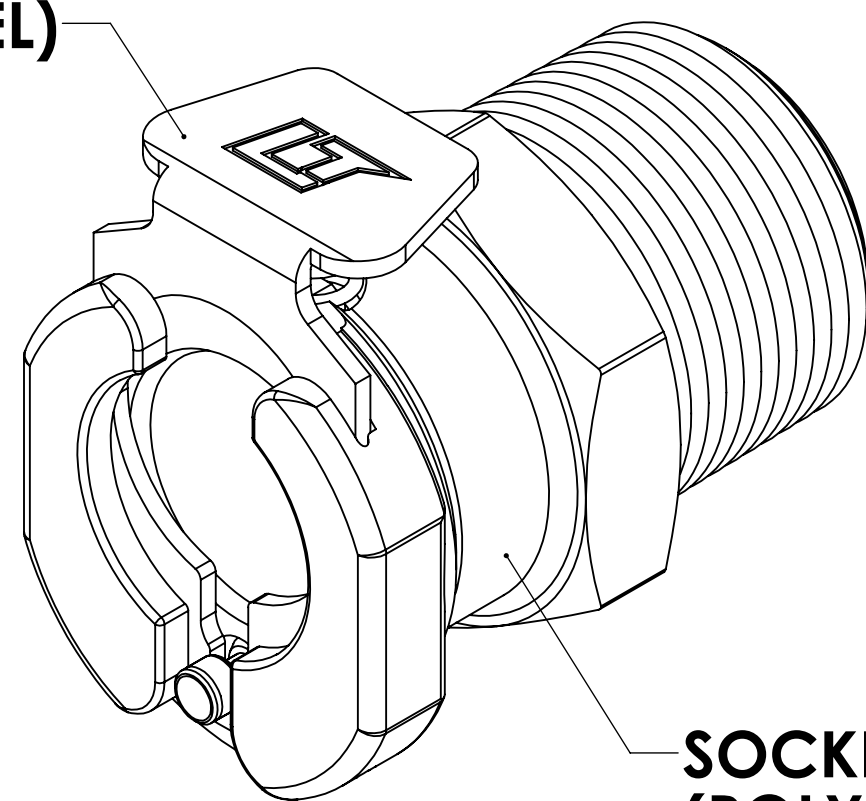
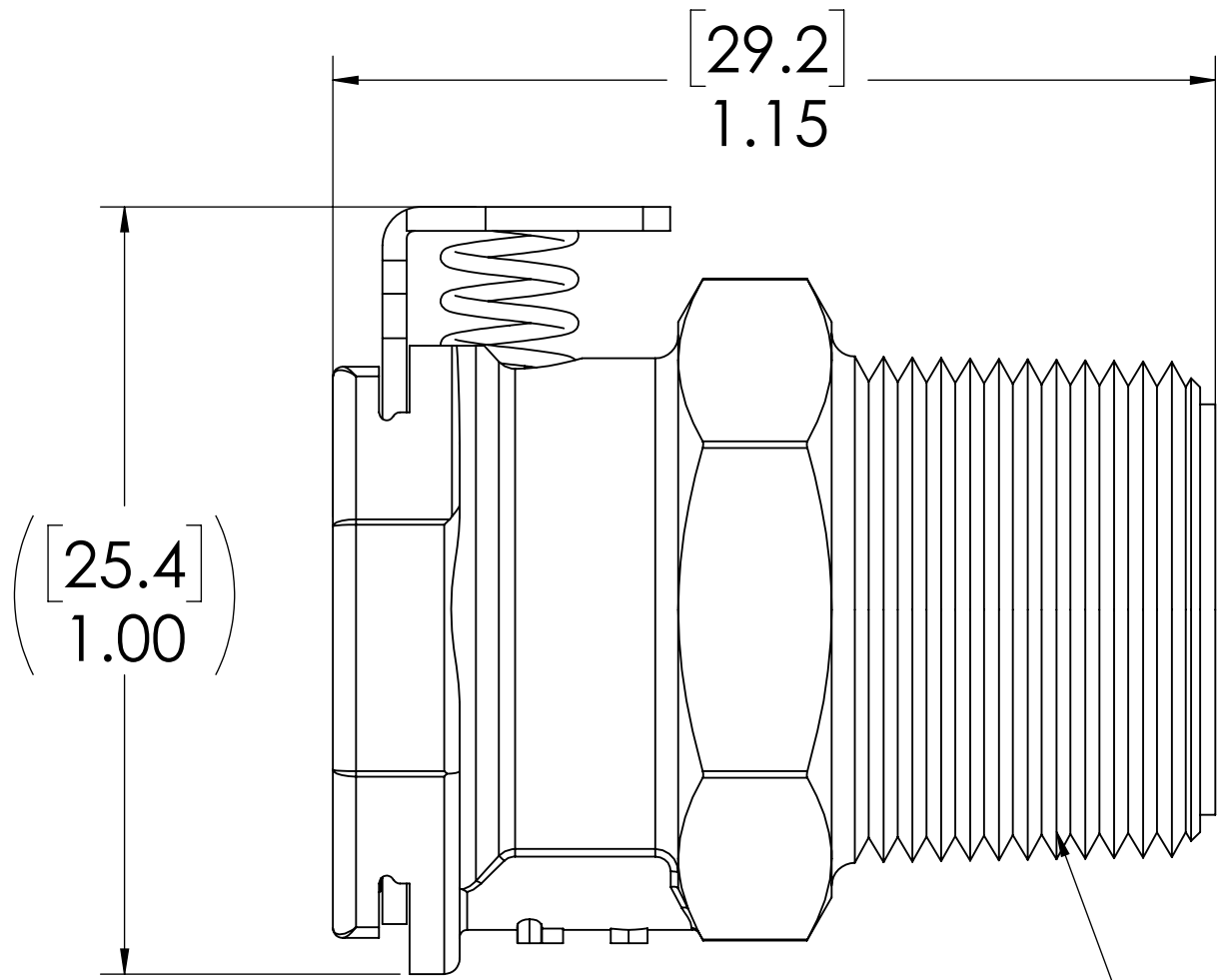
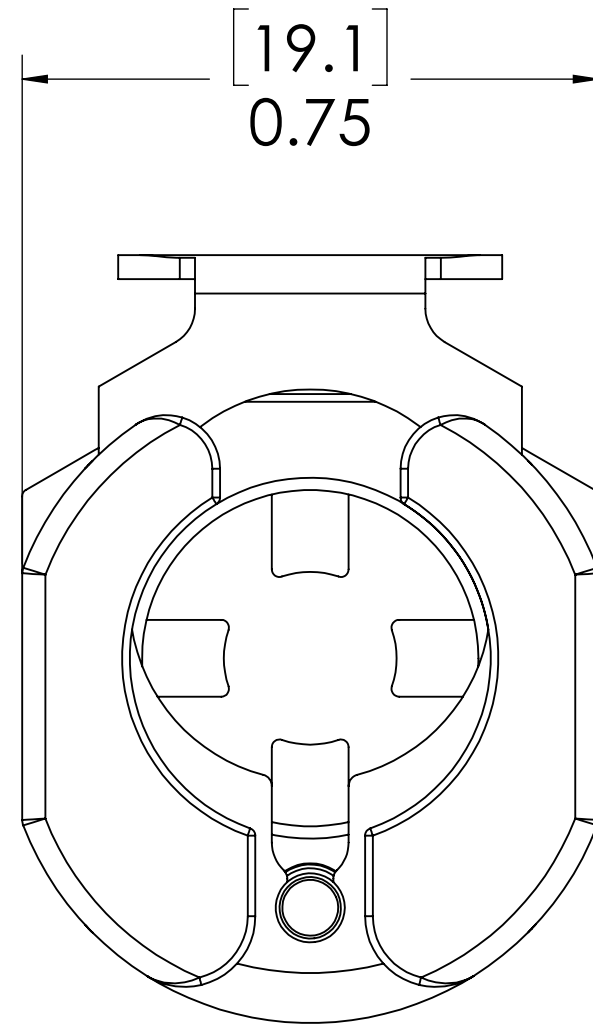


REVISIONS						
SHEET	ZONE	REV.	ECO	DESCRIPTION	DATE	APPROVED
1	ALL	A	50242	UPDATE DWG TO CURRENT FORMAT & STANDARDS	11/6/2018	HRC

**LATCH HARDWARE  
(STAINLESS STEEL)**




**SOCKET BODY  
(POLYPROPYLENE)**



**3/8" NPT  
(PIPE THREAD)**

- NOTES:**
- MATERIAL: POLYPROPYLENE
  - COLOR: GREY

**FOR REFERENCE ONLY**

UNLESS OTHERWISE SPECIFIED: DIMENSIONS ARE IN INCHES TOLERANCES: FRACTIONAL ± 1/32 ANGULAR, MACH ± 0.5 BEND ± 2 ONE PLACE DECIMAL ± 0.1 TWO PLACE DECIMAL ± 0.01 THREE PLACE DECIMAL ± 0.005 TWO PLACE DUAL (mm) [± 0.12]	DRAWN	LMP	6/11/2018	 PART NO: <b>40PP-S1-06</b> DESCRIPTION: <b>LinkTech 40PP Series, Male Thread Socket,          Non-Valved, 3/8" NPT, Polypropylene</b>
	CHECKED	HRC	6/11/2018	
	ENG APPR.	HRC	11/6/18	
	MFG APPR.	BDB	11/6/18	
PRODUCTION	LS	11/6/18		SIZE DWG. NO. REV <b>C 40PP400084 A</b>
PROPRIETARY AND CONFIDENTIAL THE INFORMATION CONTAINED IN THIS DRAWING IS THE SOLE PROPERTY OF LINKTECH LLC. ANY REPRODUCTION OR DISCLOSURE IN PART OR AS A WHOLE WITHOUT THE WRITTEN PERMISSION OF LINKTECH LLC IS STRICTLY PROHIBITED.	COMMENTS:		SCALE: NTS WEIGHT:	SHEET 1 OF 1